

Operation

a. Rectification

When the (A) generator lead is - and (B) is +, current flows from (A) through D₁ to ground, up through the battery to charge it and up through the load circuits, through D₂ and back to the generator at (B).

When (B) is - and (A) is +, the positive voltage is felt at the gate of the BCR through R₃ and D₃. (A small gate current flows from (B) → BCR → BCR gate lead → D₃ → R₃ → (A).) This starts the BCR thyristor conducting and current from (B) goes through the BCR to ground, the battery and load, and Via D₄ back to (A).

b. Regulation

Voltage regulation at high speed occurs only on the half cycle when the generator (A) lead is negative and the (B) lead is positive. As the sine wave voltage rises from zero, current starts out normally through D₁, the load, and back through D₂. A small amount of current also flows through R₂ and R₁.

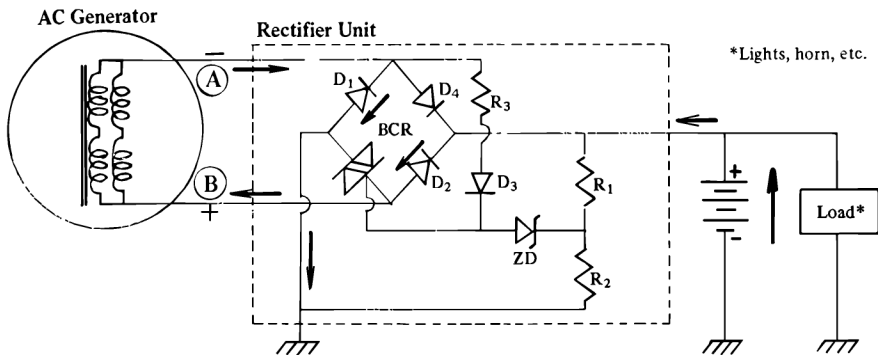
When 15 volts is reached, a portion of this voltage at the junction of R₁ and R₂ causes the Zener Diode to break down and gate the BCR. A small gate current* flows through the ZD to start the BCR conducting and current from (A) is returned to the generator at (B) via D₁ and the BCR.

In this manner average voltage is held down to 15 ± .5 volts.

*In the actual circuit the ZD turns on a transistor which gives the thyristor a negative gate from ground.

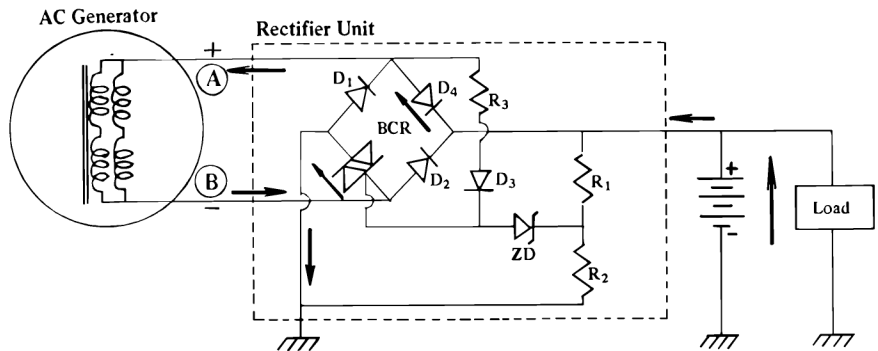
Rectification when A is negative

(423)



Rectification when B is negative

(424)



Voltage Regulation

(425)

