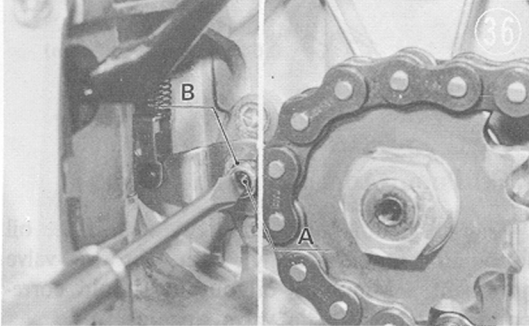


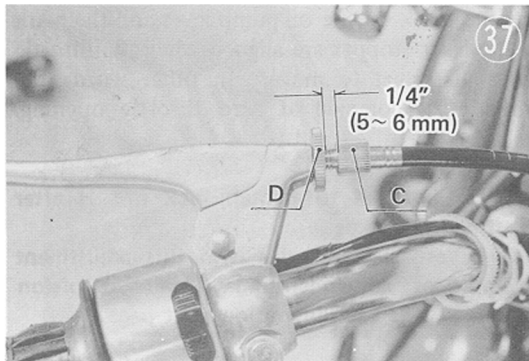
4) Clutch Adjustment

a. First adjust the release lever angle as outlined below.

(1) Loosen lock nut B and back out grooved screw A about 3 or 4 turns to give release lever C ample play.

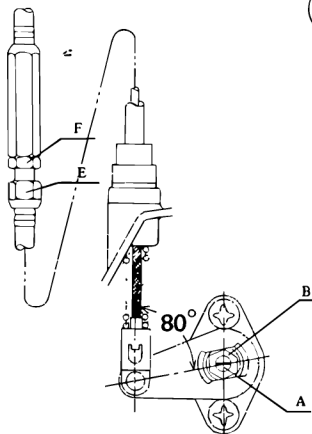


(2) Give the clutch hand lever play by loosening lock nut D and turning adjuster C, until the lever conforms with the measured position in the illustration.



(3) Loosen lock nut F and turn clutch cable adjuster E until the release lever is at the 80° angle shown in the illustration. Hold the adjustment with lock nut F.

Release Lever Adjustment



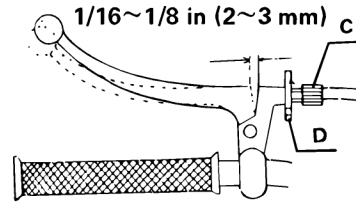
38

b. Next adjust the clutch itself. Turn in grooved screw A slowly until it suddenly becomes very hard to turn. This is where the clutch starts pushing on the screw and clutch operation begins. Hold the adjustment at this position with lock nut B.

c. Last adjust clutch lever play to the standard given in the illustration, by turning clutch lever adjuster C and locking it in place with lock nut D.

Clutch Lever Adjustment

39



5) Shift Pedal Linkage Adjustment

To make the shift pedal function most effectively, the shift pedal links should be at 90° angles.

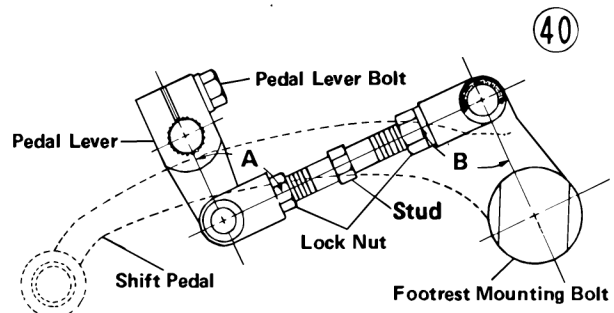
Improper angles of the shift pedal links may cause inaccurate shift operation.

- First loosen both lock nuts.
- Set angles A & B at 90° by turning the stud. Turning it clockwise decreases the angle, and turning it counterclockwise increases it.
- After making the necessary adjustment, tighten the lock nuts.

In case angle B can not be adjusted by only turning the stud, the position of the pedal lever serration should be changed.

- Take out the pedal lever bolt.
- Pull out the pedal lever. When the pedal lever can not be pulled out, loosen the footrest mounting bolt.
- Reset the pedal lever so that angle B will be at 90°.
- Screw in the pedal lever bolt, and tighten the footrest mounting bolt.
- After making angle B adjustment, angle A should be adjusted by turning the stud as explained above.

Shift Pedal Linkage



40