



SUZUKI

2-Stroke

Service Bulletin

Subject: OIL TANK CAP VENT

Bulletin No: GENERAL-13

Date: May 1, 1975

Read and Initial

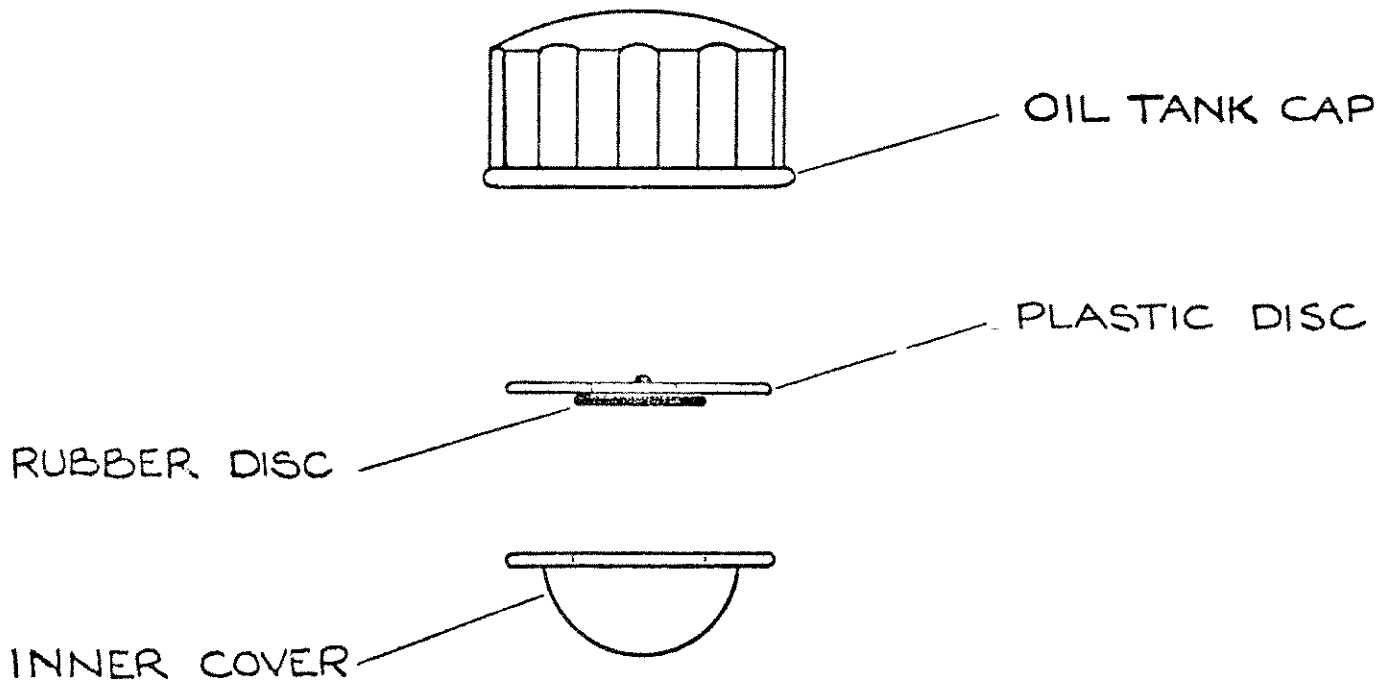
Manager: _____

Parts: _____

Service: _____

There is a possibility that certain units of earlier models may have the breather valve in the oil tank cap installed incorrectly by the owner.

As illustrated below the flat rubber disc should be on the tank, or lower side, of the white plastic breather plate.



CORRECT INSTALLATION

Please check the installation of this item on all applicable models that you may service. Obviously, failure to correct this problem could result in oil starvation and possible engine seizure.